

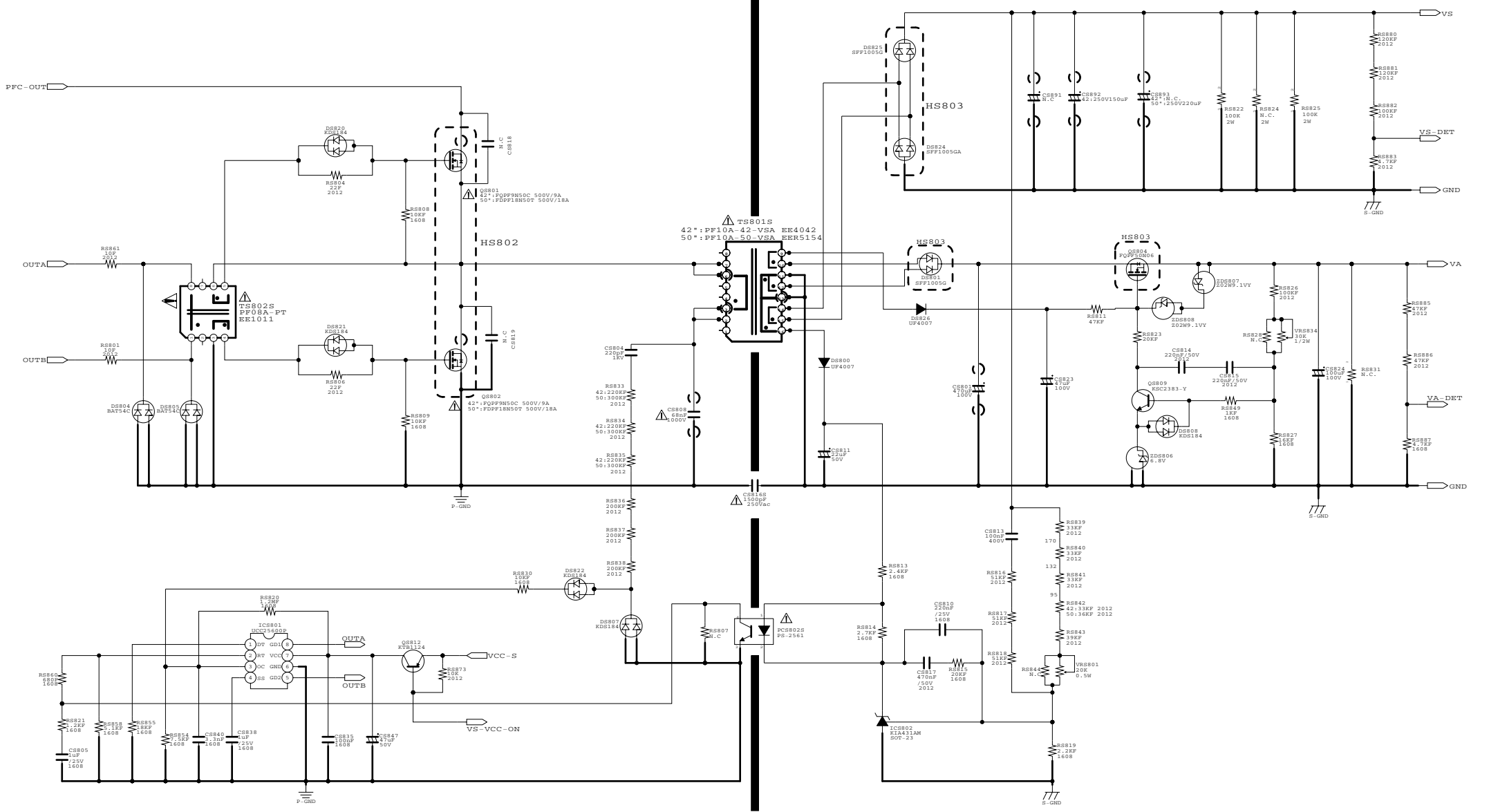
N.C : No Connection

NOTE  
**PFC BLOCK**



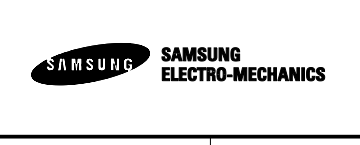
USER	SAMSUNG ELECTRONICS.CO.LTD		DATE	2010/01/20
MODEL NAME	PZ4_5		SCALE	A3
PDM NUMBER			REVISION	R.C
			CommonScore	APPROVED

HOT COLD



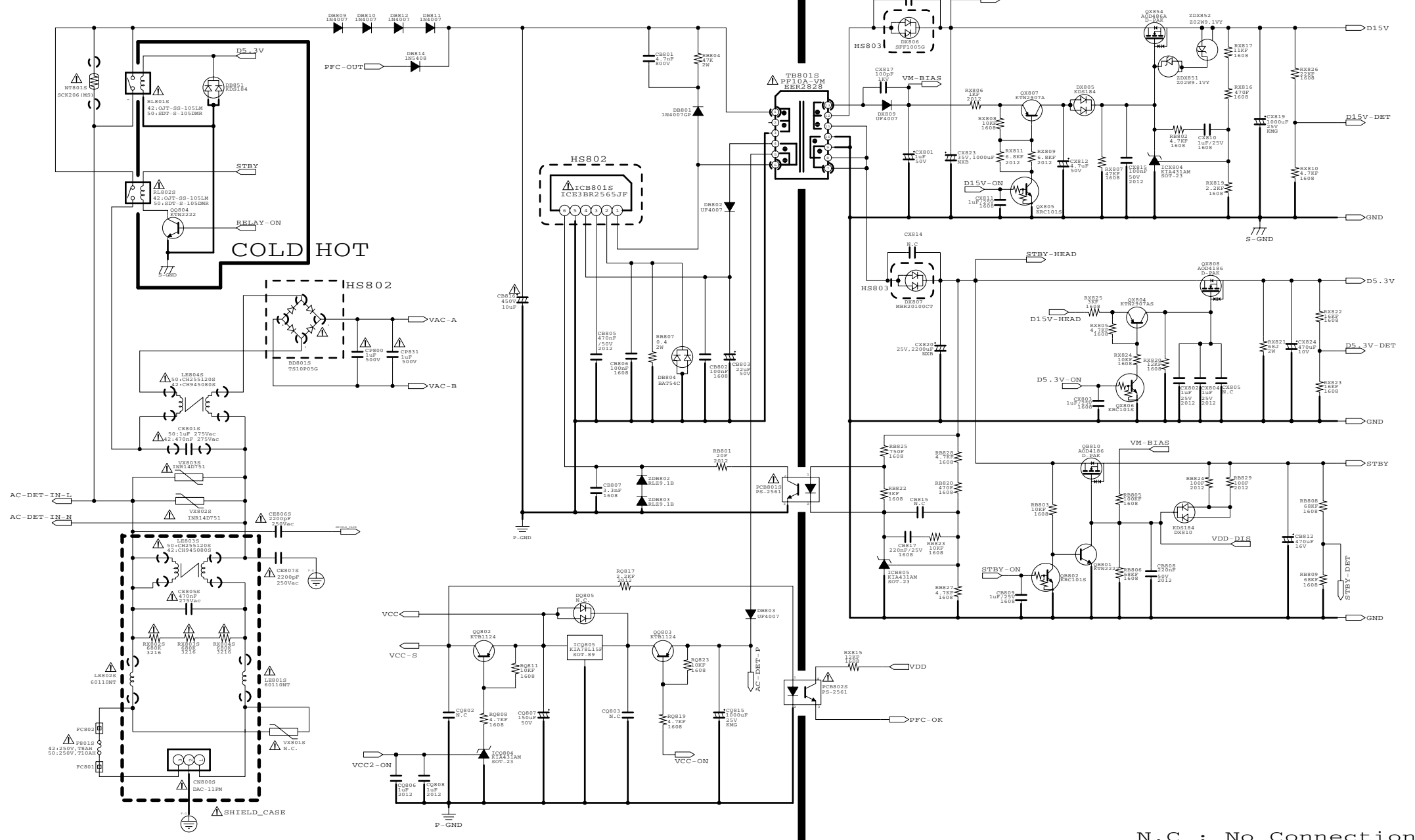
N.C : No Connection

NOTE  
**VSA BLOCK**



USER SAMSUNG ELECTRONICS.CO.LTD		DATE 2010/01/20	
MODEL NAME PZ4_5	SCALE A3	DRAWN	
PDM NUMBER	REVISION R.C	CHECKED	
	CommonScore	APPROVED	

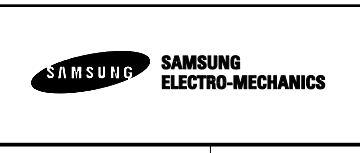
HOT COLD



N.C : No Connection

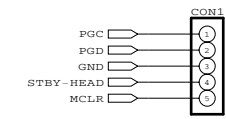
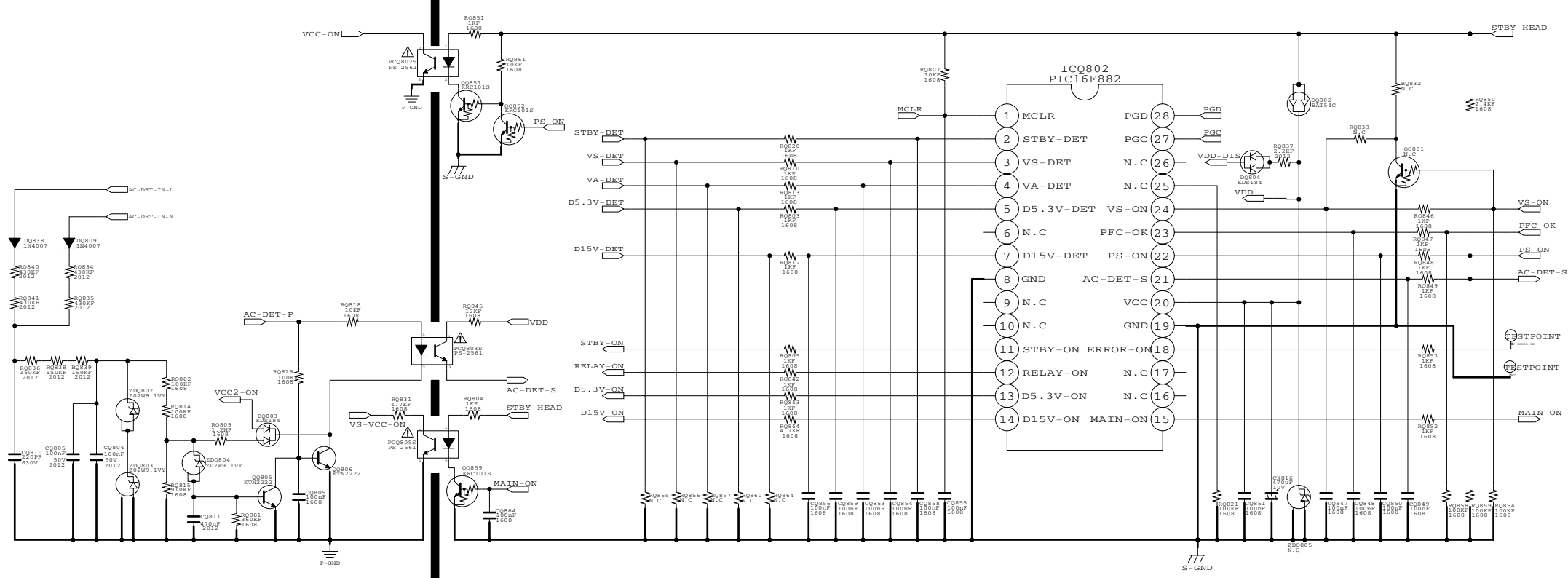
NOTE

# EMI & STBY BLOCK



USER	SAMSUNG ELECTRONICS.CO.LTD		DATE	2010/01/20
MODEL NAME	PZ4_5		SCALE	A3
PDM NUMBER			REVISION	R.C
			CommonScore	APPROVED

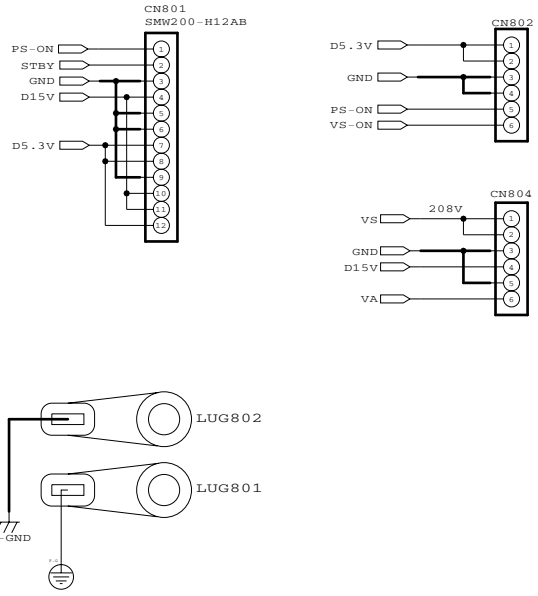
HOT COLD



NOTE  
**SEQUENCE & PROTECTION BLOCK**



USER	SAMSUNG ELECTRONICS.CO.LTD	DATE	2010/01/20
MODEL NAME	PZ4_5	SCALE	A3
PDM NUMBER		REVISION	R.C
		CommonScore	APPROVED



The rule of Loc.No.

STBY : -B (ex.RBXXX,CBXXX)

PFC : -P (ex.RPXXX,CPXXX)

VSA : -S (ex.RSXXX,CSXXX)

VX : -X (ex.RXXXX,CXXXX)

Sequence : -Q (ex.RQXXX,CQXXX)

Protection : -T (ex.RTXXX,CTXXX)

EMI : -E (ex.REXXX,CEXXX)

N.C : No Connection

NOTE

# CONNECTOR INFORMATION



USER SAMSUNG ELECTRONICS.CO.LTD		DATE 2010/01/20	
MODEL NAME	PZ4_5	SCALE	A3
PDM NUMBER		REVISION	R.C
		CommonScore	APPROVED